



... delivering
quality
time after time

SP-CO and SP-RT Units

SPAN POWER CENTRAL OFFICE AND REMOTE UNITS



Pulsecom's SP-CO and SP-RT Remote Powering

The Span Power system comprises two 200 Mechanics® circuit packs, the SP-CO and the SP-RT. The SP-CO unit provides network powering over up to four outside plant (OSP) copper pairs to the SP-RT unit to operate Pulsecom DS3-EXPRESS, G2, O3D3, O3-3D3PM, and D3-28D1 modules.

The Span Power system can power one O3D3 and one D3-28D1SJ over 6,000 feet of four parallel pairs of 26-gauge cable (125 ohms).

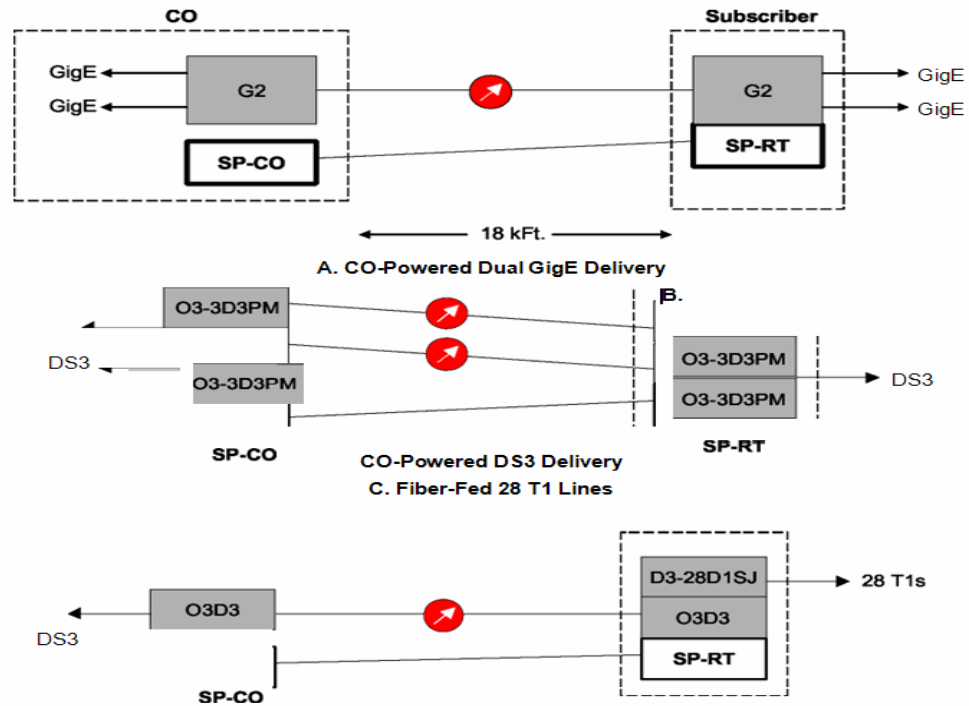
The system can power two DS3-EXPRESS units over 2,500 feet of two parallel pairs of 26-gauge cable (105 ohms). This configuration suits switch-to protect as well as DS3-EXPRESS repeater applications.

Features

- 200 Mechanics
- Exclusive DS3 network powering capabilities for O3D3, O3-3D3PM, D3-28D1, and DS3-EXPRESS modules
- Exclusive Gigabit Ethernet (GigE) powering capability for Pulsecom G2 modules over up to 37 kilofeet of OSP facilities
- Ability to operate in parallel to double or triple range
- Remote powering over one to four twisted pairs
- Climate hardened
- Fused inputs and outputs
- Eliminates the need for local AC rectifiers and battery backup systems
- Faster turn-up than systems powered with local AC rectifiers and battery backup equipment
- Less expensive and more reliable than locally powered alternatives
- Simple plug-and-play installation
- Front-panel indicators to show power, under voltage, under current, and over load status
- Short-circuit protection via current-limited outputs

PULSECOM

Typical Applications



Specifications:

Description	Specification
A. Interface	
Connector Type	8-position right-angle header
Cable Lengths	See Table 1
Reach	Up to 6,000 feet
B. Power Requirement	
SP-CO a) Input b) Output	-41.5 to -57 VDC -130 VDC, 60W (460 mA)
SP-RT Output a) For -40° to +65°C operating temperatures b) For 0° to +55°C operating temperatures	-48 VDC, up to 25W (520 mA) -48 VDC, up to 30W (620 mA)
C. Environmental	
Temperature Range, Operating and Storage	-40° to +65°C (see Section B above)
Relative Humidity, No Condensation	10% minimum to 95% maximum
Size (height x width x depth)	5.59 x 0.675 x 5.977 inches
Weight	25 ounces



Pulse Communications, Inc.
2900 Towerview Road • Herndon, Virginia 20171 USA

Headquarters: (703) 471-2900
Customer Service: (800) 381-1997 or (703) 471-2950
Fax: 703-471-2951
Technical Support: (800) 841-1005 or (703) 478-7077
www.pulse.com

Pulsecom is a registered trademark of Hubbell Incorporated. Other brand and product/trade names may be trademarks or registered trademarks of their respective owners. Information contained in this publication is subject to change without notice.

Printed in USA



All features and specifications are preliminary and subject to change